

PAR 64 LANTERNS

Thomas pioneered the lightweight aluminum Par lantern. Today this lantern is widely regarded as the industry standard Par fixture. This lantern can be supplied with a UL listing if specified upon ordering.

It is manufactured from thick gauge aluminum for maximum durability and with high quality components, these all contribute to the longevity of the product.

Bodies can be supplied with long or short version. A floorlite version is also available.

Color:- Black and Silver are standard, but other colors are available to order, specify BS or RAL color number.

Color Frames:- Square, Octagonal, or Circular are available.

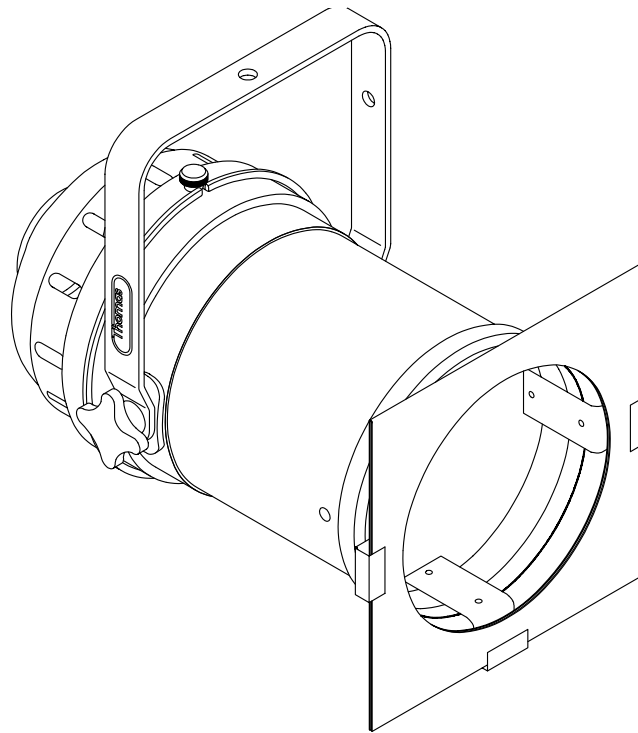
Gel Feet:- We can supply the lantern with a spring loaded 4th foot for extra security.

T.V specifications satisfy the requirements for the majority of venues as it has the following safety features as standard:- Safety wire from body to cap, body to color frame, and yoke to lighting bar. This unit also has lamp adjuster to enable external adjustment of lamp.

Color changer lantern has an arm to form a positive triangular lock off for fitting of color changers. The lantern also has a spring loaded 4th gel foot.

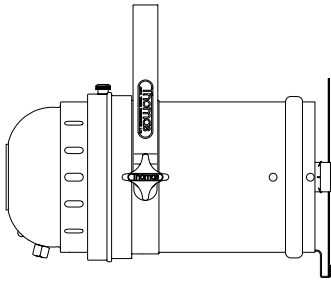
Lamp holders with short 6" tails or wiring sets (with 3'-3" of 3 core silicon cable) can be supplied.

Other variations can be made to suit your requirements.

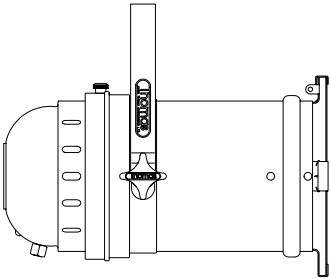


DIMENSIONS (ins)				
DESCRIPTION	LENGTH	WIDTH	HEIGHT (NOT INCLUDING YOKE)	TOP OF YOKE TO PIVOT POINT
PAR 64 STANDARD	16.45	10.47	9.76	8.85
PAR 64 SHORT NOSE	11.22	10.47	9.76	8.85
PAR 64 FLOORLITE	11.22	10.47	9.76	9.05
PAR 64 T.V. SPECIFICATION	17.48	10.47	10.15	8.85
PAR 64 COLOR CHANGER	19.72	11.14	10.15	8.85

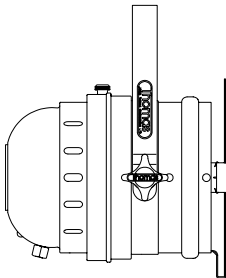
PAR 64 LANTERNS



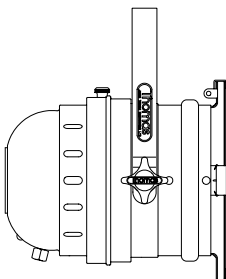
PAR 64 STANDARD			WT lbs
BLACK	SILVER	COLOR	
A6400	A6401	A6402	4.05



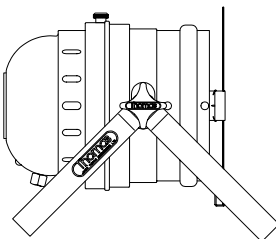
PAR 64 WITH 4TH GEL FOOT			WT lbs
BLACK	SILVER	COLOR	
A6403	A6404	A6405	4.22



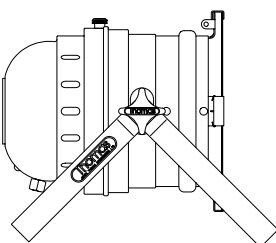
PAR 64 SHORT NOSE			WT lbs
BLACK	SILVER	COLOR	
A6406	A6407	A6408	3.6



PAR 64 SHORT NOSE WITH 4TH GEL FOOT			WT lbs
BLACK	SILVER	COLOR	
A6409	A6410	A6411	3.75

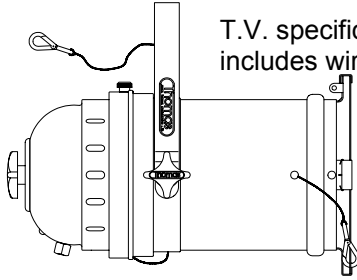


PAR 64 FLOORLITE			WT lbs
BLACK	SILVER	COLOR	
A6412	A6413	A6414	4.25



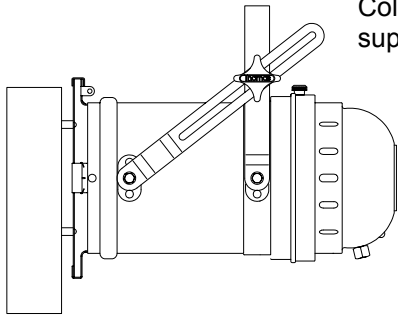
PAR 64 FLOORLITE WITH 4TH GEL FOOT			WT lbs
BLACK	SILVER	COLOR	
A6415	A6416	A6417	4.41

PAR 64 LANTERNS



T.V. specification lantern includes wiring set.

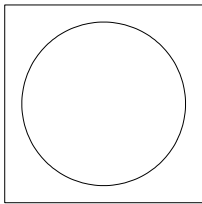
PAR 64 T.V. SPECIFICATION			WT lbs
BLACK	SILVER	COLOR	6.06
A6418	A6419	A6420	



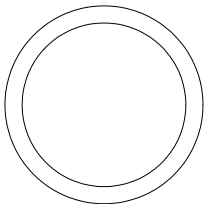
Color changer is not supplied.

PAR 64 COLOR CHANGER			WT lbs
BLACK	SILVER	COLOR	5.28
A6421	A6422	A6423	

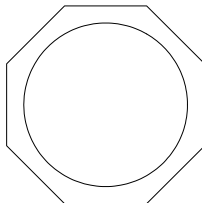
ACCESSORIES FOR PAR 64 LANTERNS



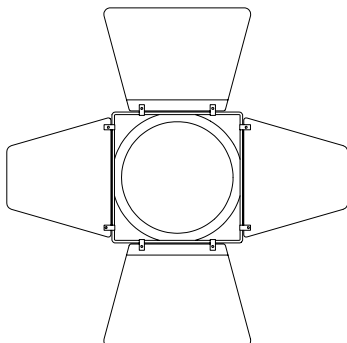
PRODUCT CODE	DESCRIPTION	SIZE INCHES (MM)	WT lbs
D6450	SQUARE COLOR FRAME BLACK	10" X 10" (254 X 254)	0.37
D6451	SQUARE COLOR FRAME SILVER		
D6452	SQUARE COLOR FRAME COLOR		



D6453	CIRCULAR COLOR FRAME BLACK	10" (254)O.D.	0.26
D6454	CIRCULAR COLOR FRAME SILVER		
D6455	CIRCULAR COLOR FRAME COLOR		

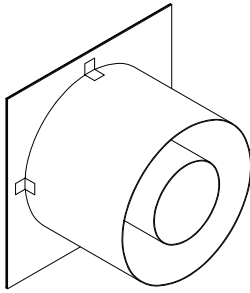


D6456	OCTAGONAL COLOR FRAME BLACK	10" X 10" (254 X 254)	0.23
D6457	OCTAGONAL COLOR FRAME SILVER		
D6458	OCTAGONAL COLOR FRAME COLOR		

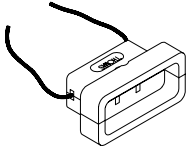


D6460	BARN DOOR 4 WAY BLACK	1.87
D6461	BARN DOOR 4 WAY SILVER	1.87

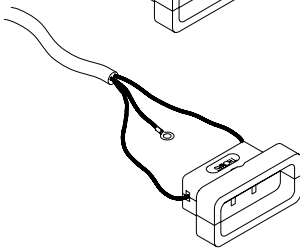
PAR 64 LANTERNS



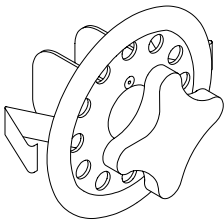
PRODUCT CODE	DESCRIPTION	WT lbs
D6403	SPILL RING & COLOR FRAME 10" x 10" x 5.9" (254 x 254 x150 MM) LONG WITH GUNSIGHT	3.34



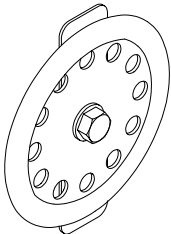
G0000	CERAMIC WITH SHORT TAILS	0.2
-------	--------------------------	-----



G0001	WIRING SET WITH 36" SILICON CABLE	0.45
-------	-----------------------------------	------



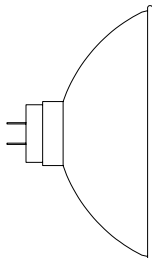
D0210	BLACK	LAMP ADJUSTER ALLOWS SAFE FOCUSING OF LAMP FROM LANTERN EXTERIOR	0.32
D0211	SILVER		0.32



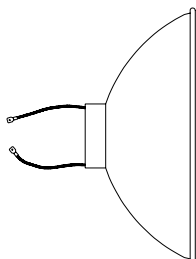
D6475	CAP BLANKING PLATE TO CLOSE OFF HOLE IN LANTERN CAP	0.21
-------	--	------

RAYLITES:-

A Range of lightweight bright anodized aluminum reflectors designed to fit in place of par lamps to save weight. Lamp types available are, A1244 240V 500W, DYR 240V 650W, DYS 120V 600W.



G1000	RAYLITE WITH MOGUL PRONGS - NARROW	0.38
G1001	RAYLITE WITH MOGUL PRONGS - MEDIUM	0.38
G1002	RAYLITE WITH MOGUL PRONGS - WIDE	0.38



G1006	RAYLITE WITH SHORT TAILS - NARROW	0.31
G1007	RAYLITE WITH SHORT TAILS - MEDIUM	0.31
G1008	RAYLITE WITH SHORT TAILS - WIDE	0.31